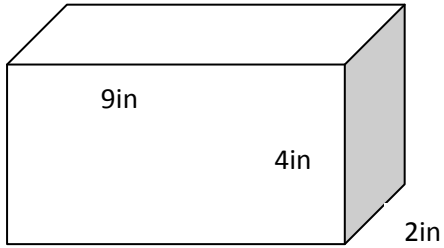
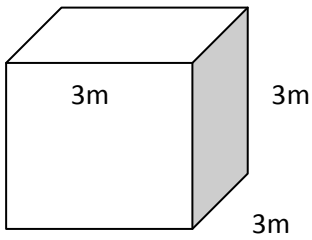


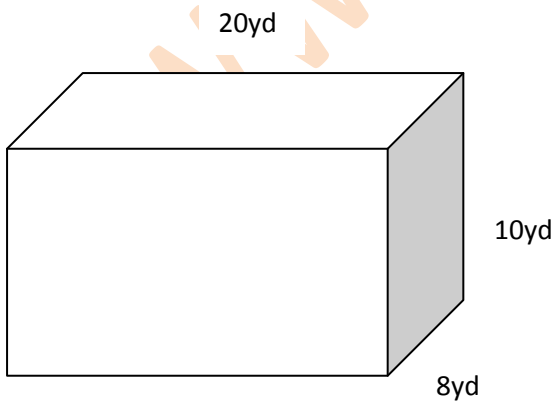
Calculate Surface Area



Show your work



Show your work



Show your work