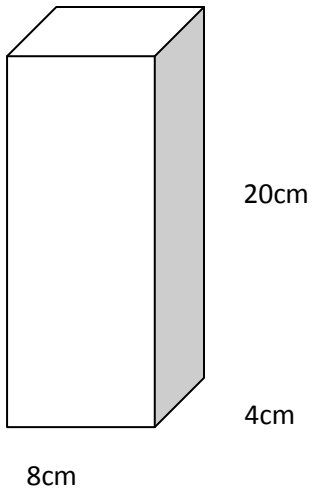
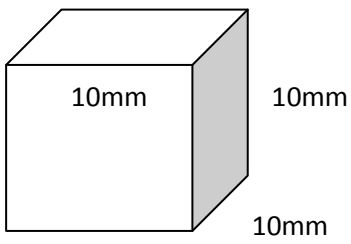


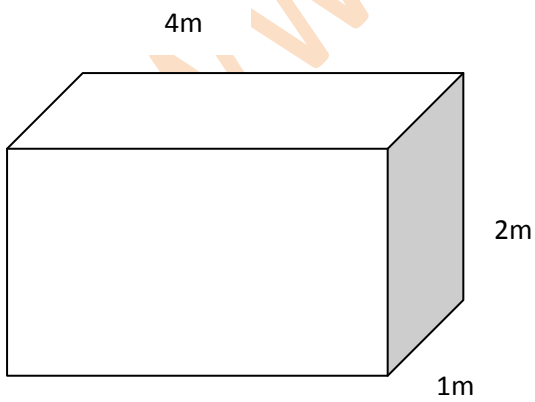
Calculate Volume



Show your work



Show your work



Show your work