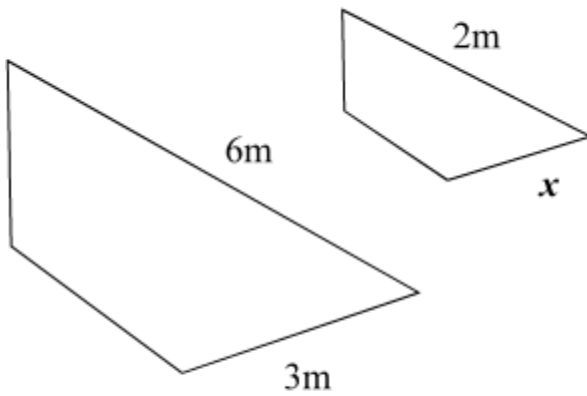


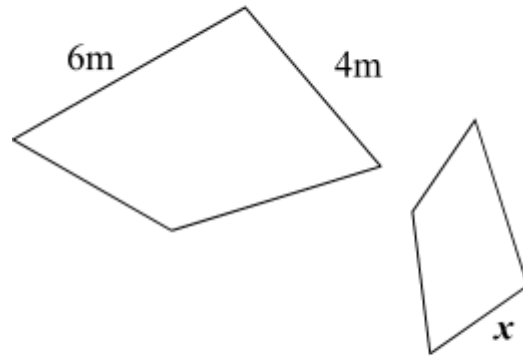
Side lengths of similar shapes

These two shapes are similar.
Find the value of x



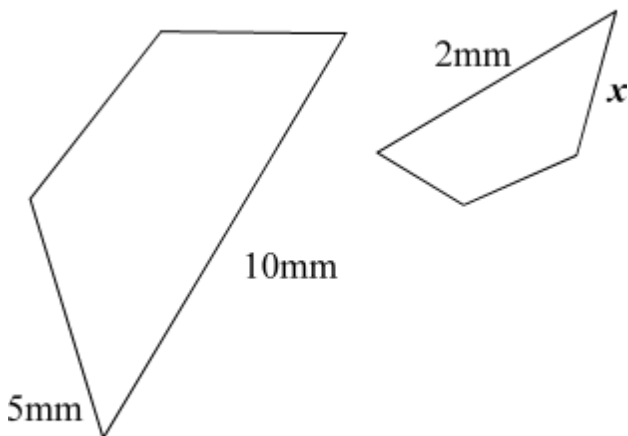
$x =$

These two shapes are similar.
Find the value of x



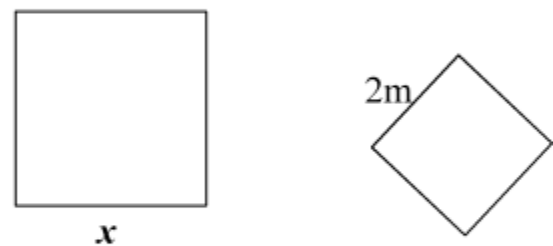
$x =$

These two shapes are similar.
Find the value of x



$x =$

These two shapes are similar.
Find the value of x



$x =$