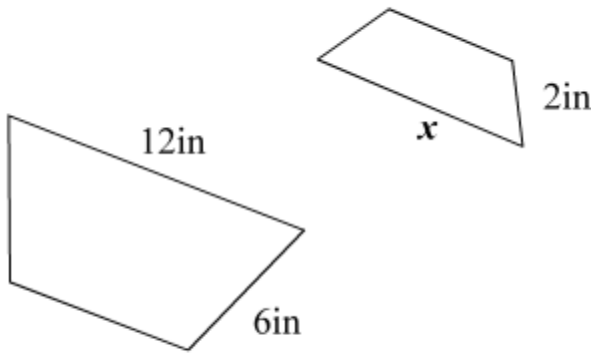


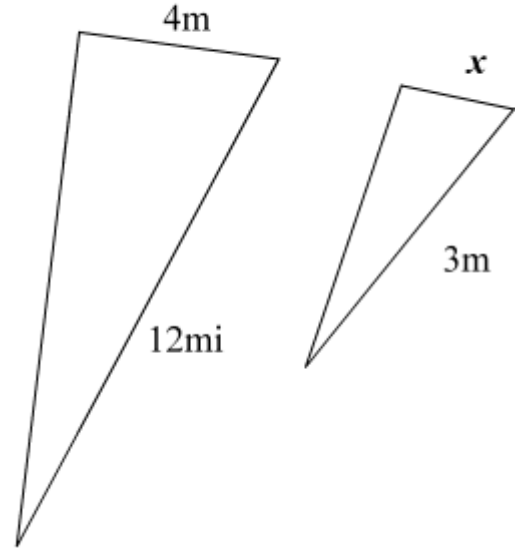
### Side lengths of similar shapes

These two shapes are similar.  
Find the value of  $x$



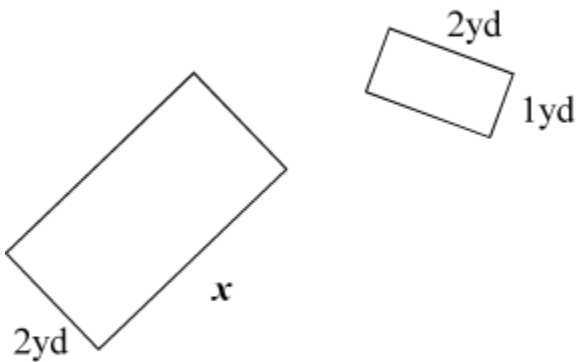
$x =$

These two shapes are similar.  
Find the value of  $x$



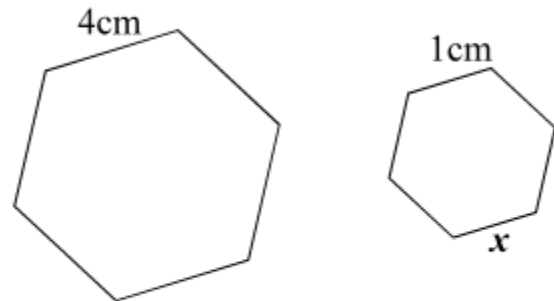
$x =$

These two shapes are similar.  
Find the value of  $x$



$x =$

These two shapes are similar.  
Find the value of  $x$



$x =$