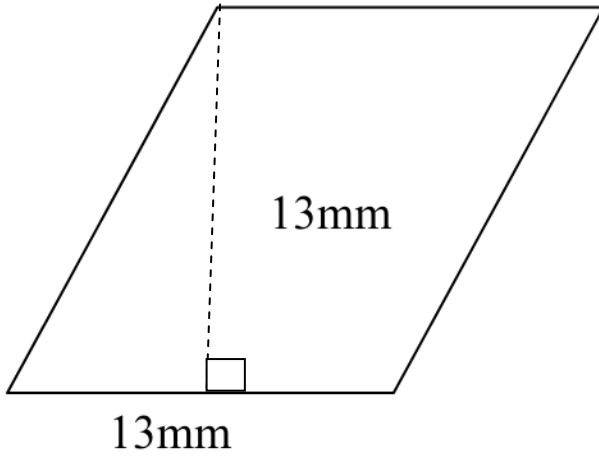
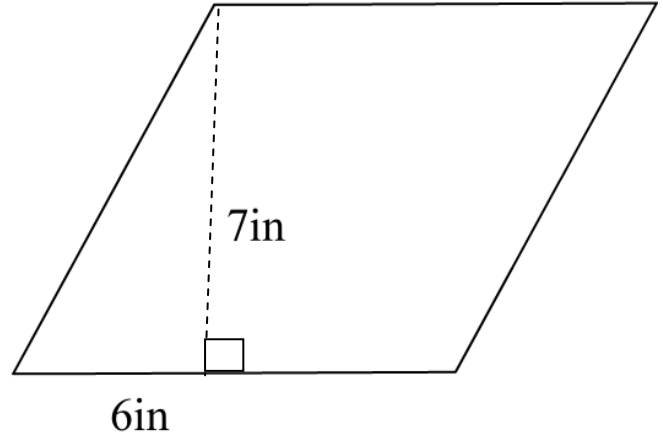


Area – Parallelograms and Trapezoids

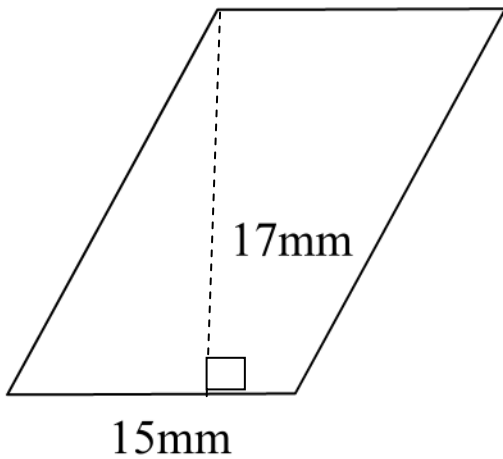
What is the Area?

Area =

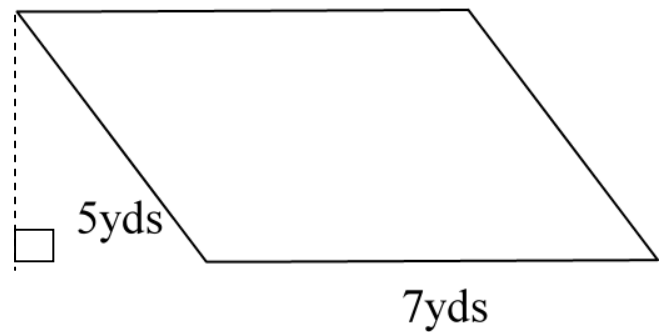
What is the Area?

Area =

What is the Area?

Area =

What is the Area?

Area =